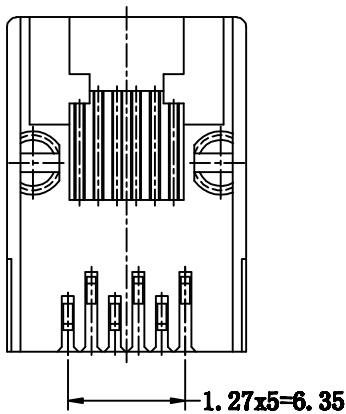
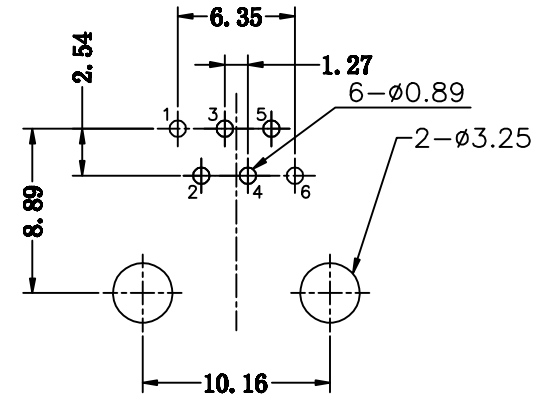


PCB LAYOUT/TOP VIEW



Electrical:

- 1.Voltage Rating: 125 Vac Rms
- 2.Current Rating: 1.5 Amp
- 3.Contact Resistance: 40 Milliohms Max
- 4.Insulation Resistance: 1000 Megohms Min@500 Vdc
- 5.Dielectric Strength: 1000 Vac Rms 60Hz,1Min

Mechanical:

- 1.Operating: 750 Cycles Min

Environmental:

- 1.Storage: -40°C To +85°C
- 2.Opertion: -20°C To +75°C

Mates With Modular Plug Conforming To FCC Part 68,Subpart F

Notes:

MATERIALS

HOUSING: ENGINEERING THERMOPLASTIC FLAMMABILITY UL 94V-0

CONTACTS: PHOSPHOR BRONZE

PLATING: GOLD PLATING OVER NICKEL IN CONTACT
TIN PLANTING OVER NICKEL IN SOLDER AREA

TOLERANCE UNLESS OTHERWISE SPECIFIED		CUSTOMER COPY			Coorle Technology		
LINER	ANGLES	PROJECTION			PROD. SIDE ENTRY PCB JACK		
0 ± 0.50	± 3°				DESCRIP. (RJ11 6P6C非屏蔽)		
.0 ± 0.38					PROD. NUMBER		
.00 ± 0.25							
DESIGN	PAUL HUANG	6/15/19	UNIT	SCALE	SIZE	REV.	
APPRO.			MM	/	A4	C	



A
B
C
D
E
F

A
B
C
D
E
F

1| 2| 3| 4| 5| 6

1| 2| 3| 4| 5| 6